

Installation Instructions

Beverage Center and Wine Chiller

Questions? Call 800.GE.CARES (800.432.2737) or Visit our Website at: GEAppliances.com

BEFORE YOU BEGIN

Read these instructions completely and carefully.

- **IMPORTANT** – Save these instructions for local inspector's use.
- **IMPORTANT** – Observe all governing codes and ordinances.
- **Note to Installer** – Be sure to leave these instructions with the Consumer.
- **Note to Consumer** – Keep these instructions for future reference.
- **⚠ WARNING** This appliance must be properly grounded. See "Grounding the Beverage Center and Wine Chiller."
- If you received a damaged beverage center or wine chiller, you should immediately contact your dealer or builder.
- **Skill Level** – Installation requires basic mechanical skills. Proper installation is the responsibility of the installer. Product failure due to improper installation is not covered under the GE Appliance Warranty.

DOOR SWING

The door swing on this product is not reversible.

TOOLS REQUIRED

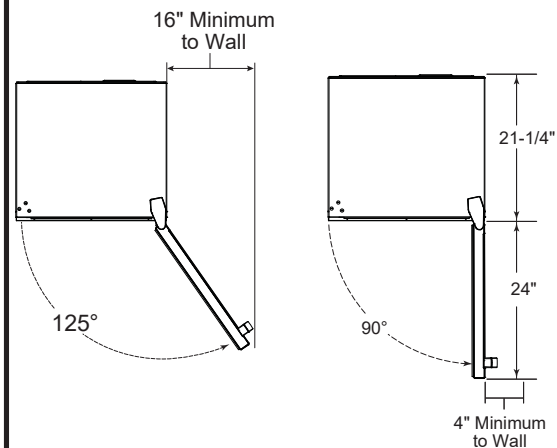
- #2 Phillips screwdriver
- 10mm Hex nut driver

PRODUCT CLEARANCES

The beverage center and wine chiller is factory set for a 125° door swing.

When installed in a corner:

- Allow 4" min. clearance on the hinge side for the 90° door swing and to allow racks to slide out.
- Allow 16" minimum clearance on the hinge side for a full 125° door swing.



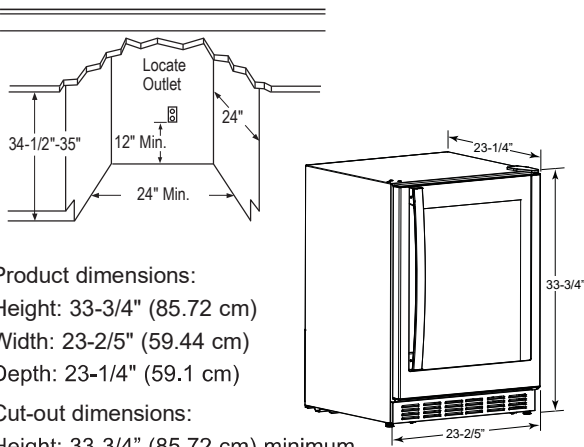
Choose the location:

- These products may be closed in on the top and three sides as long as the front is unobstructed for air circulation and proper access to the door.
- Do not install the appliance where the temperature will go below 55°F (19°C) because it will not run often enough to maintain proper temperatures.
- Do not install the appliance where the temperature will go above 90°F (35°C) because it will not perform properly.
- Do not install the appliance in a location exposed to water (rain, etc.) or direct sunlight.
- These products are not designed to be stacked one over the other.

Installation Instructions

INSTALLATION SPACE

The beverage center and wine chiller can be a free-standing model or it can be built in using the cut-out dimensions below.



Product dimensions:
 Height: 33-3/4" (85.72 cm)
 Width: 23-2/5" (59.44 cm)
 Depth: 23-1/4" (59.1 cm)

Cut-out dimensions:
 Height: 33-3/4" (85.72 cm) minimum
 Width: 24" (61 cm) minimum
 Depth: 24" (61 cm) minimum

The cutout depth should be 24"

The cutout dimensions shown allow for a full door swing and access to the pull-out racks when installed as a built-in in standard 24" deep cabinets.

- The door should protrude 1-1/2" beyond the surrounding cabinets.
- If installing between frameless cabinets, a 1/2" wide filler strip or side panel may be needed on hinge side. The filler strip will act as a spacer between the case and adjacent cabinet door swing. The width of the opening must include the filler panels. **NOTE:** The door should protrude 1-1/2" beyond the surrounding cabinets.
- The beverage center and wine chiller can be installed freestanding.

Additional Specifications

- A 120 volt 60Hz., 15 or 20 amp power supply is required. An individual properly grounded branch circuit or circuit breaker is recommended. Install a properly grounded 3-prong electrical receptacle recessed into the back wall as shown. Electrical must be located on rear wall as shown.

NOTE: GFI (ground fault interrupter) is not recommended.

GROUNDING THE BEVERAGE CENTER AND WINE CHILLER

⚠ WARNING Electrical Shock

Hazard. For personal safety, this appliance must be properly grounded.

The power cord of this appliance is equipped with a three-prong (grounding) plug which mates with a standard three-prong (grounding) wall receptacle to minimize the possibility of electric shock hazard from this appliance.

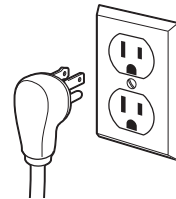
Have the wall outlet and circuit checked by a qualified electrician to make sure the outlet is properly grounded.

Where a standard 2-prong wall outlet is encountered, it is your personal responsibility and obligation to have it replaced with a properly grounded 3-prong wall outlet.

DO NOT, UNDER ANY CIRCUMSTANCES, CUT OR REMOVE THE THIRD (GROUND) PRONG FROM THE POWER CORD.

DO NOT USE AN ADAPTER PLUG TO CONNECT THE APPLIANCE TO A 2-PRONG OUTLET.

DO NOT USE AN EXTENSION CORD WITH THIS APPLIANCE.



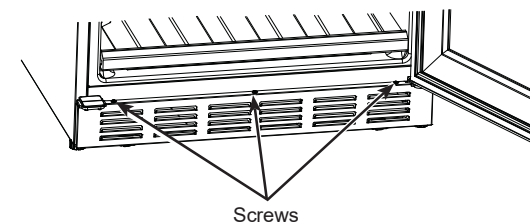
1 REMOVE PACKAGING

- Remove all packing material, tape and protective plastic coverings.

⚠ WARNING Small objects are a choke hazard for children. Remove and discard any parts not used.

2 REMOVE RUBBER PAD AND SHIPPING BRACKET

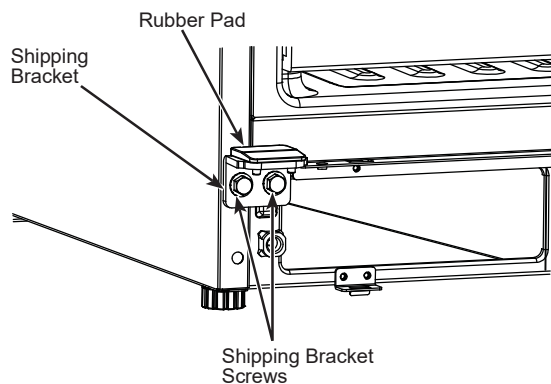
- Remove Toekick by removing 3 screws.



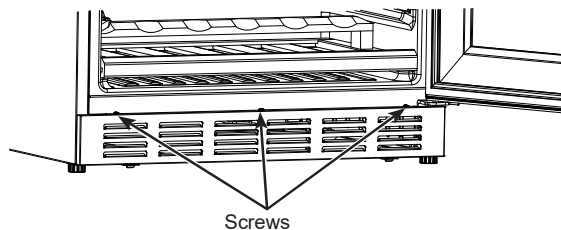
Installation Instructions

2 REMOVE RUBBER PAD AND SHIPPING BRACKET (Cont.)

- Remove 2 screws, shipping bracket, rubber pad and discard.



- Re-install Toekick with 3 screws.



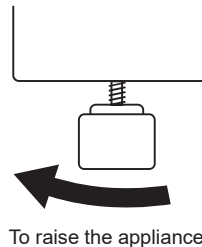
4 SLIDE PRODUCT INTO THE CUTOUT

- Carefully slide the unit into the opening. Be careful not to entangle power cord.
- Make certain that the door protrudes 1-1/2" beyond the surrounding cabinets.

5 LEVEL

Adjustable legs at the front corners of the beverage center and wine chiller should be set so the beverage center / wine chiller is firmly positioned on the floor, with a 1/8" tilt to the back to help the door closure.

To adjust the leveling legs, turn the legs counterclockwise to raise the beverage center / wine chiller, clockwise to lower it.



3 CONNECT POWER

- Connect power cord plug to a properly grounded receptacle.
- Make sure power is on by opening the door to see if interior light turns on.

6 SET TEMPERATURE CONTROLS

- The temperature controls are preset. Refer to the Temperature Control section for more information. Allow 24 hours for temperature to stabilize.